

DIESEL GENERATOR SET

MTU 6R0120 DS180

180 kWe / 60 Hz / Standby
208 - 600V

Reference MTU 6R0120 DS180 (163 kWe) for Prime Rating Technical Data



SYSTEM RATINGS

Standby

Voltage (L-L)	240V	240V	208V	240V	380V	480V	600V
Phase	1	1	3	3	3	3	3
PF	1	1	0.8	0.8	0.8	0.8	0.8
Hz	60	60	60	60	60	60	60
kW	180	180	180	180	180	180	180
kVA	180	180	225	225	225	225	225
Amps	750	750	625	541	342	271	217
skVA@30%							
Voltage Dip	268	366	433	433	362	451	375
Generator							
Model	432CSL6210	432PSL6228	431CSL6206	431CSL6206	431CSL6206	431CSL6204	431PSL6242
Temp Rise	130 °C/40 °C	130 °C/40 °C	130 °C/40 °C	130 °C/40 °C	130 °C/40 °C	130 °C/40 °C	130 °C/40 °C
Connection	12 LEAD DOUBLE DELTA	4 LEAD	12 LEAD WYE	12 LEAD DELTA	12 LEAD WYE	12 LEAD WYE	4 LEAD WYE

CERTIFICATIONS AND STANDARDS

// **Emissions** – EPA Tier 3 Certified

// **Generator set is designed and manufactured in facilities certified to standards ISO 9001:2008 and ISO 14001:2004**

// **Seismic Certification** – Optional

- IBC Certification
- OSHPD Pre-Approval

// **Power Rating**

- Accepts Rated Load in One Step Per NFPA 110

// **UL 2200 / CSA** – Optional

- UL 2200 Listed
- CSA Certified
- CE Marking Provided

// **Performance Assurance Certification (PAC)**

- Generator Set Tested to ISO 8528-5 for Transient Response
- Verified product design, quality and performance integrity
- All engine systems are prototype and factory tested

STANDARD FEATURES*

- // MTU Onsite Energy is a single source supplier
 - // Global Product Support
 - // 2 Year Standard Warranty
 - // OM926LA Diesel Engine
 - 7.2 Liter Displacement
 - 4-Cycle
 - // Engine-generator resilient mounted
 - // Complete Range of Accessories
- // Generator
 - Brushless, Rotating Field Generator
 - 2/3 Pitch Windings
 - 300% Short Circuit Capability with Optional Permanent Magnet Generator (PMG)
 - // Digital Control Panel(s)
 - UL Recognized, CSA Certified, NFPA 110
 - Complete System Metering
 - LCD Display
 - // Cooling System
 - Integral Set-Mounted
 - Engine-Driven Fan

STANDARD EQUIPMENT*

// Engine

Air Cleaners
 Oil Pump
 Oil Drain Extension and S/O Valve
 Full Flow Oil Filter
 Fuel Filter with Water Separator
 Jacket Water Pump
 Thermostat
 Blower Fan and Fan Drive
 Radiator - Unit Mounted
 Electric Starting Motor - 12V
 Governor - Electronic Isochronous
 Base - Formed Steel
 SAE Flywheel and Bell Housing
 Charging Alternator - 12V
 Battery Box and Cables
 Flexible Fuel Connectors
 Flexible Exhaust Connection
 EPA Certified Engine

// Generator

NEMA MG1, IEEE and ANSI standards compliance for temperature rise and motor starting
 Self-Ventilated and Drip-Proof
 Superior Voltage Waveform
 Solid State, Volts-per-Hertz Regulator
 $\pm 1\%$ Voltage Regulation No Load to Full Load
 Brushless Alternator with Brushless Pilot Exciter
 4 Pole, Rotating Field

130 °C Max. Standby Temperature Rise
 1 Bearing, Sealed
 Flexible Coupling
 Full Amortisseur Windings
 125% Rotor Balancing
 3-Phase Voltage Sensing
 100% of Rated Load - One Step
 5% Max. Total Harmonic Distortion

// Digital Control Panel(s)

Digital Metering
 Engine Parameters
 Generator Protection Functions
 Engine Protection
 SAE J1939 Engine ECU Communications
 Windows®-Based Software
 Multilingual Capability
 Remote Communications to RDP-110 Remote Annunciator
 Programmable Input and Output Contacts
 UL Recognized, CSA Certified, CE Approved
 Event Recording
 IP 54 Front Panel Rating with Integrated Gasket
 NFPA 110 Compatible

* Represents standard product only. Consult Factory/MTU Onsite Energy Distributor for additional configurations.

APPLICATION DATA

// Engine

Manufacturer	Mercedes-Benz
Model	OM926LA
Type	4-Cycle
Arrangement	6-Inline
Displacement: L (in ³)	7.2 (439)
Bore: cm (in)	10.6 (4.17)
Stroke: cm (in)	13.6 (5.35)
Compression Ratio	17.5:1
Rated RPM	1,800
Engine Governor	MR2 / ADM3
Max. Power: kWm (bhp)	247 (331)
Speed Regulation	±0.25%
Air Cleaner	Dry

// Liquid Capacity (Lubrication)

Total Oil System: L (gal)	29 (7.7)
Engine Jacket Water Capacity: L (gal)	10 (2.6)
System Coolant Capacity: L (gal)	24.1 (6.4)

// Electrical

Electric Volts DC	12
Cold Cranking Amps Under -17.8 °C (0 °F)	950

// Fuel System

Fuel Supply Connection Size	-6 JIC
Fuel Supply Hose Size	3/8" ID
Fuel Return Connection Size	-6 JIC
Fuel Return Hose Size	3/8" ID
Max. Fuel Lift: m (ft)	2.6 (8.5)
Recommended Fuel	Diesel #2
Total Fuel Flow: L/hr (gal/hr)	330.5 (87.3)

// Fuel Consumption *

At 100% of Power Rating: L/hr (gal/hr)	50 (13.2)
At 75% of Power Rating: L/hr (gal/hr)	36 (9.5)
At 50% of Power Rating: L/hr (gal/hr)	23.9 (6.3)

* Based on 431CSL6204 480 Volt generator set

// Cooling - Radiator System

Ambient Capacity of Radiator: °C (°F)	50 (122)
Max. Restriction of Cooling Air: Intake and Discharge Side of Rad.: kPa (in. H ₂ O)	0.12 (0.5)
Water Pump Capacity: L/min (gpm)	143 (37)
Heat Rejection to Coolant: kW (BTUM)	88.8 (5,430)
Heat Rejection to Air to Air: kW (BTUM)	54 (3,071)
Heat Radiated to Ambient: kW (BTUM)	38.3 (2,178)
Fan Power: kW (hp)	15.6 (22.1)

// Air Requirements

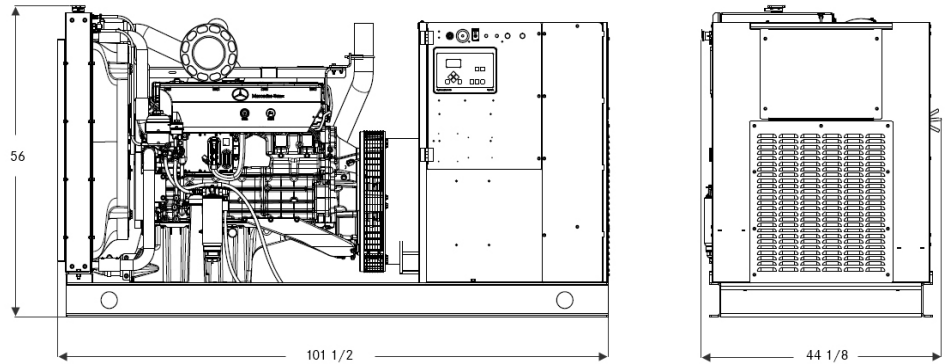
Aspirating: *m ³ /min (SCFM)	14.3 (505)
Air Flow Required for Rad. Cooled Unit: *m ³ /min (SCFM)	408 (14,408)
Remote Cooled Applications; Air Flow Required for Dissipation of Radiated Generator Set Heat for a Max. of 25 °F Rise: *m ³ /min (SCFM)	139.9 (4,941)

* Air density = 1.184 kg/m³ (0.0739 lbm/ft³)

// Exhaust System

Gas Temp. (Stack): °C (°F)	491 (916)
Gas Volume at Stack Temp: m ³ /min (CFM)	43 (1,519)
Max. Allowable Back Pressure: kPa (in. H ₂ O)	10.5 (42)

WEIGHTS AND DIMENSIONS



Drawing above for illustration purposes only, based on standard open power 480 volt generator set. Lengths may vary with other voltages. Do not use for installation design. See website for unit specific template drawings.

System	Dimensions (L x W x H)	Weight (less tank)
Open Power Unit (OPU)	2,580 x 1,121 x 1,422 mm (101.57 x 44.13 x 56 in)	1,632-2,120 kg (3,598-4,674 lb)

Weights and dimensions are based on open power units and are estimates only. Consult the factory for accurate weights and dimensions for your specific generator set.

SOUND DATA

Unit Type	Standby Full Load
Level 0: Open Power Unit dB(A)	88.8

Sound data is provided at 7 m (23 ft). Generator set tested in accordance with ISO 8528-10 and with infinite exhaust.

EMISSIONS DATA

NO _x + NMHC	CO	PM
3.93	1.2	0.06

All units are in g/hp-hr and shown at 100% load (not comparable to EPA weighted cycle values). Emission levels of the engine may vary with ambient temperature, barometric pressure, humidity, fuel type and quality, installation parameters, measuring instrumentation, etc. The data was obtained in compliance with US EPA regulations. The weighted cycle value (not shown) from each engine is guaranteed to be within the US EPA Standards.

RATING DEFINITIONS AND CONDITIONS

// Standby ratings apply to installations served by a reliable utility source. The standby rating is applicable to varying loads for the duration of a power outage. No overload capability for this rating. Ratings are in accordance with ISO 3046-1, BS 5514, and AS 2789. Average load factor: ≤ 85%.

// Deration Factor:

Altitude: Consult your local MTU Onsite Energy Power Generation Distributor for altitude derations.

Temperature: Consult your local MTU Onsite Energy Power Generation Distributor for temperature derations.

C/F = Consult Factory/MTU Onsite Energy Distributor

N/A = Not Available